

ABL50

(DC24V, 50W, BLDC Driver)



Introduction

Item	Contents
Size(mm)	97(D) X 39(W) X 42(H)
Input voltage	DC 24V(±20%)
Standard output current	3.0A
Power	50W(Max.80W)

Power connector : PWR(MOLEX 5566-02A)

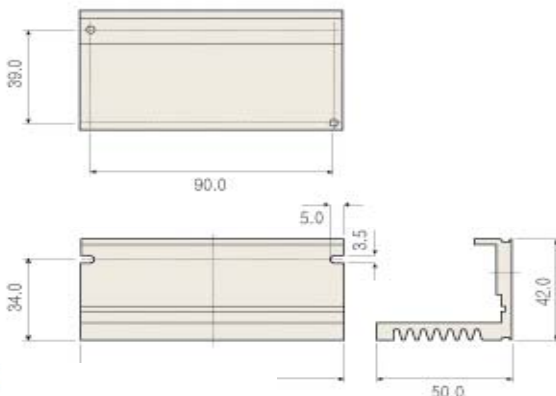
Pin No.	Signal name	Remark
1	24V	24V, allowable deviation of input voltage is ±20%
2	GND	Ground

Motor connector : MOTOR(MOLEX 5566-08A)

Pin No.	1	2	3	4	5	6	7	8
Signal	12V	U	V	W	GND	Hu	Hv	Hw
Remark	Motor power line				Sensor signal line			

I/O Connector : CTRL(MOLEX 5267-11A)

Pin No.	Signal name	Remark
1	GND	Ground
2	DIR_OUT	From the front view of motor, ON ⇒ CW, OFF ⇒ CCW
3	ALARM	- Normal status ⇒ LED OFF - Motor harness fail ⇒ - Over current ⇒ 1hz flickering
4	SPEED_OUT	Pulse out according to motor speed. 10pole ⇒ 30 pulse/rev
5	ALARM_RESET	Alarm ⇒ Motor stop ⇒ ALARM_RESET ⇒ Motor restart Signal flow : ON(L) ⇒ OFF(NC) ⇒ Motor restart
6	DIR	High(5V) ⇒ CW, Low(GND) ⇒ CCW
7	RUN/BRAKE	ON(L) ⇒ Motor ON. OFF ⇒ Brake
8	START/STOP	ON ⇒ Ready to operating OFF ⇒ Stop naturally for load or inertia.
9	GND	Ground
10	SPEED_IN	Speed control input : range, 0~5V
11	5V	Power supply, 5 volt



UI, UO 커버터 최대 허용토크 가감속 속도지정 DC.24V 전원커넥터 모터 커넥터 (MOT)