

KSV05B

Solenoid Valve

Applications

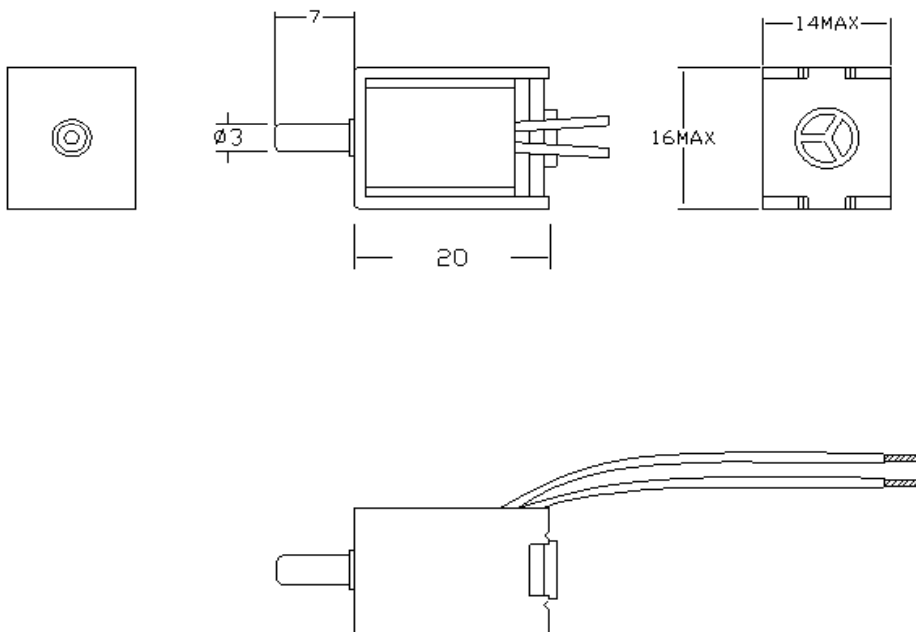
Blood Pressure M/C, Massager,
Medical Equipment, etc



Specifications

1. Rated Voltage	DC6.0V	DC12.0V
2. Rated Current	60mA	45mA
3. Exhaust Time	Max. 3.0 seconds from 300mmHg reduce to 15 mmHg at 50CC tank.	
4. Resistance	100Ω±10%	270Ω±10%
5. Leakage	Max. 3mmHg/min from 300mmHg at 100CC tank.	
6. Insulation Level	A	
7. Apply For	Air	

Drawing



UNIT:mm