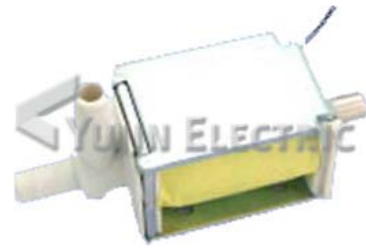


KSV3WG

Solenoid Valve

Applications

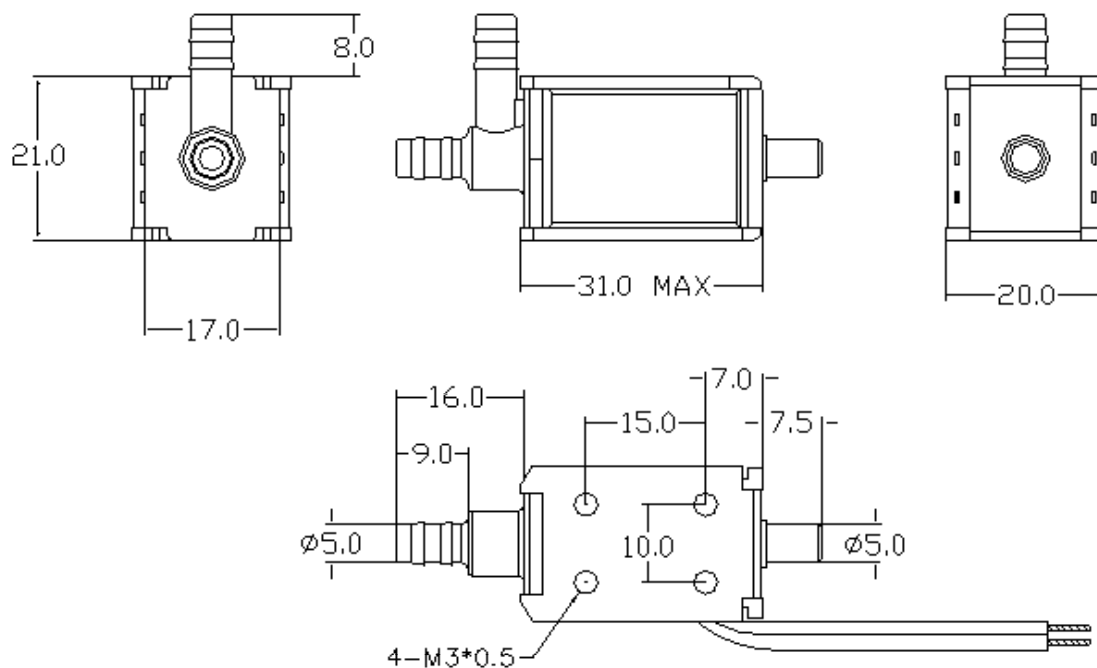
Massager, Medical Equipment, etc



Specifications

| | |
|---------------------|---|
| 1. Rated Voltage | DC12.0V |
| 2. Rated Current | 240mA |
| 3. Exhaust Time | Max. 5.0 seconds from 300mmHg reduce to 15 mmHg at 500CC tank |
| 4. Resistance | 50Ω±10% |
| 5. Leakage | Max. 5 mmHg/min from 300mmHg at 500CC tank. |
| 6. Insulation Level | A |
| 7. Apply For | Air |

Drawing



UNIT: mm